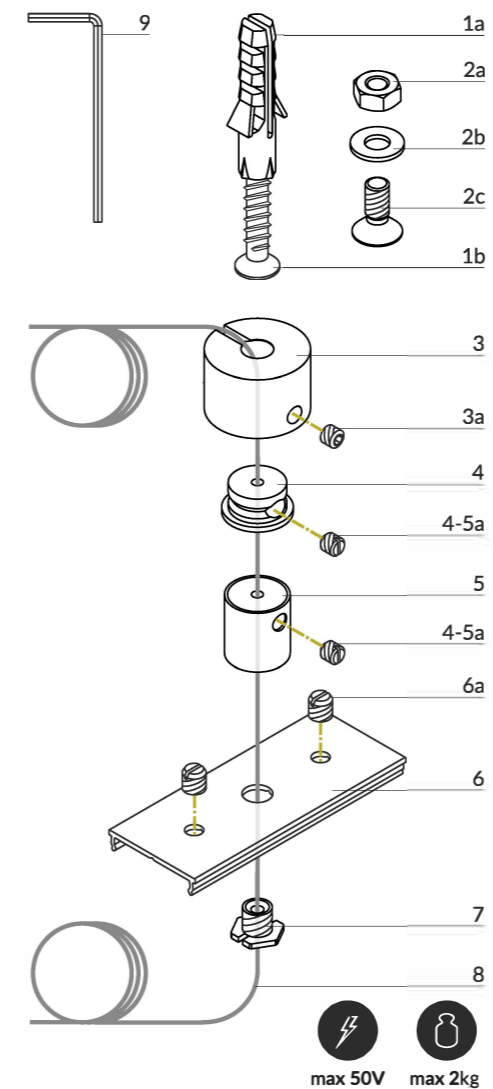


RIIPPUVAIJERI 50 V 1500 mm

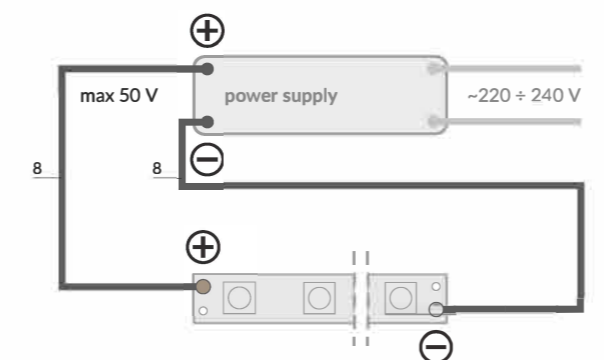


Set contains:			pcs
1a	dowel pin F18x40	1	2
1b	screw 4x40		2
2a	nut M4		2
2b	round washer M4x0,8		2
2c	machine screw M4x10	1	2
3	body F18x12		2
3a	grub screw M4x4 Allen		2
4	mandrel F12x6		2
4-5a	plastic grub screw M4x4		4
5	body F10x12		2
6	PERUS16 base		2
6a	grub screw M4x5		4
7	nipple with flange M5x4,5		2
8	teflon sheath wire 1x0,50 2500 mm		2
9	Allen key	1	1

Fitting profiles	
Profile:	Mounting method:
MINI10	A
SUORA12	A
YLEI512	A
NELIÖ16	A
LINJA20	A / B / C (FIX16)
LAAJA24	A
KOLMIO10	A
KAARI12	A
LA5112	A
MONI30-01	A / B / C (MONI30-10)
MONI30-02	A / B / C (MONI30-10)
MONI30-03	A / B / C (MONI30-10)
MONI30-08	A / B / C (MONI30-09)

A - Directly to the profile
 B - Using 6 - PERUS16 base
 C - Use the cover along the entire length of the profile (type of cover)

Electrical connection layout



Mounting must be performed by an appropriately qualified person

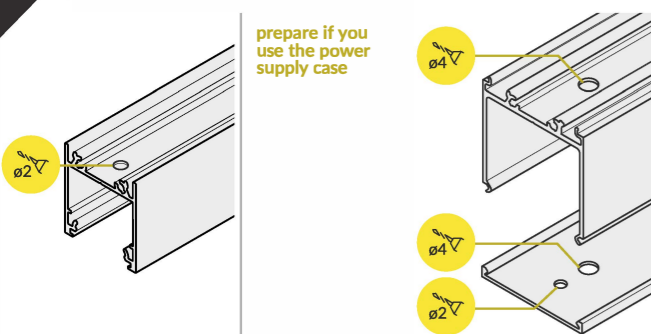


Mounting

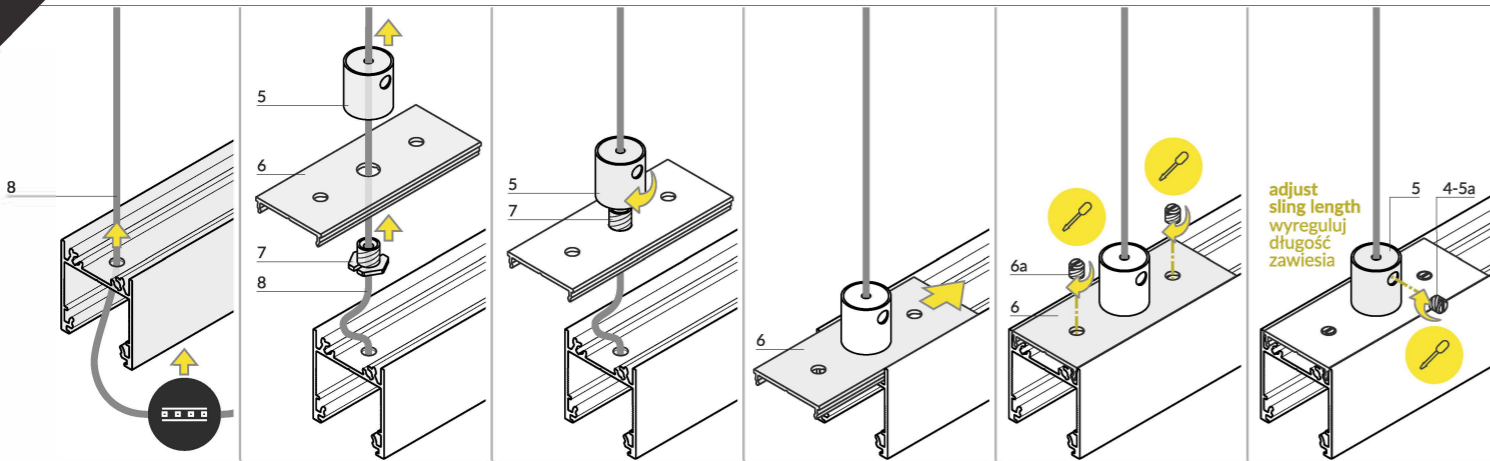


Installation on the example of LINJA20 LED profile, with optional use of the power supply case (MONI30-08 and MONI30-09)
All the steps shown below should be repeated for the second conduit

I PROFILES PREPARING

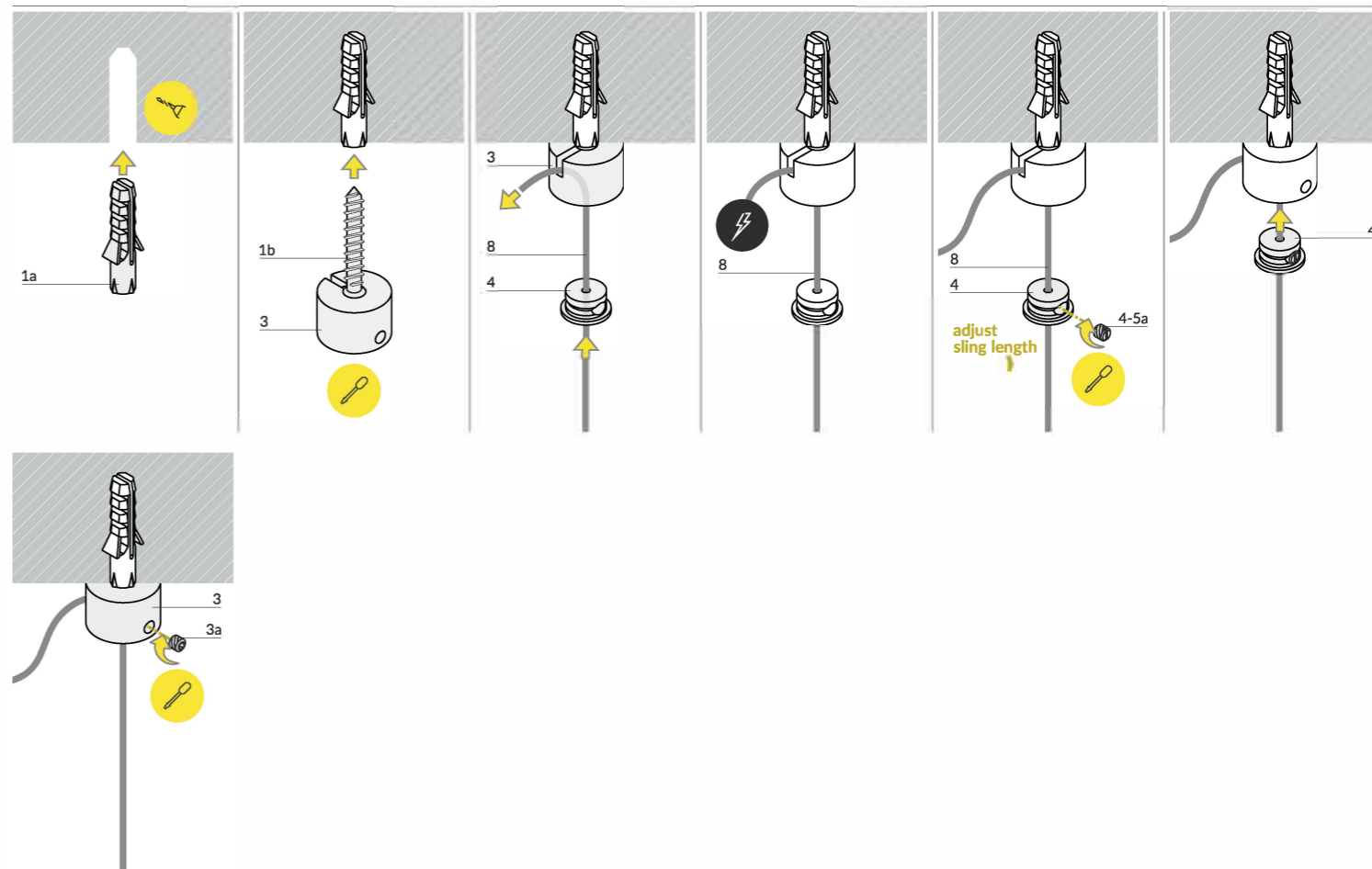


II MOUNTING TO THE PROFILE



III MOUNTING TO THE CEILING

Direct



With optional power supply cover

