


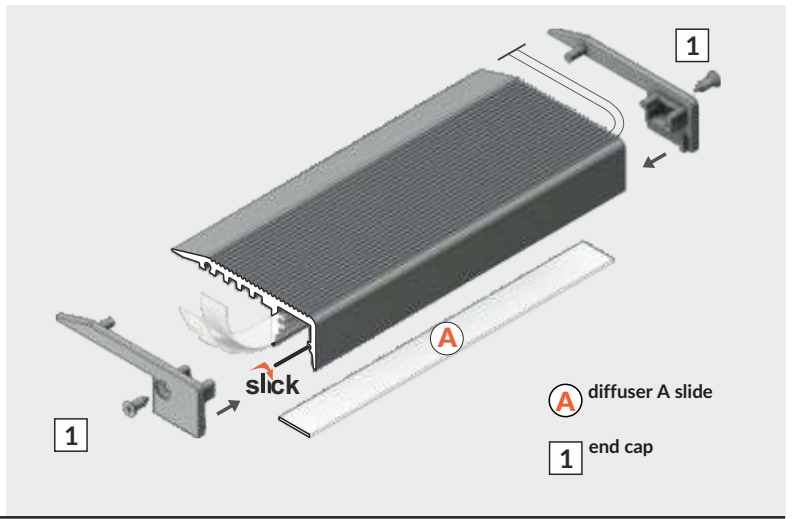
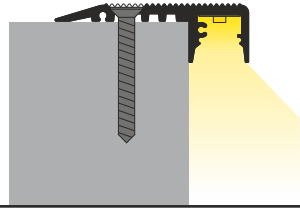
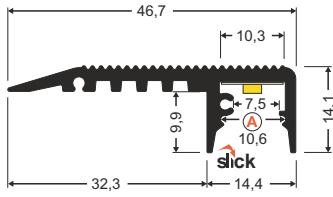
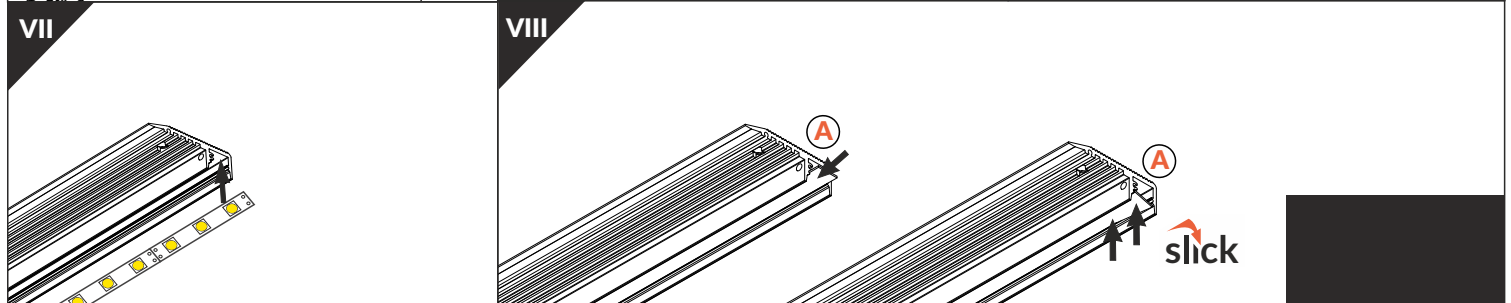
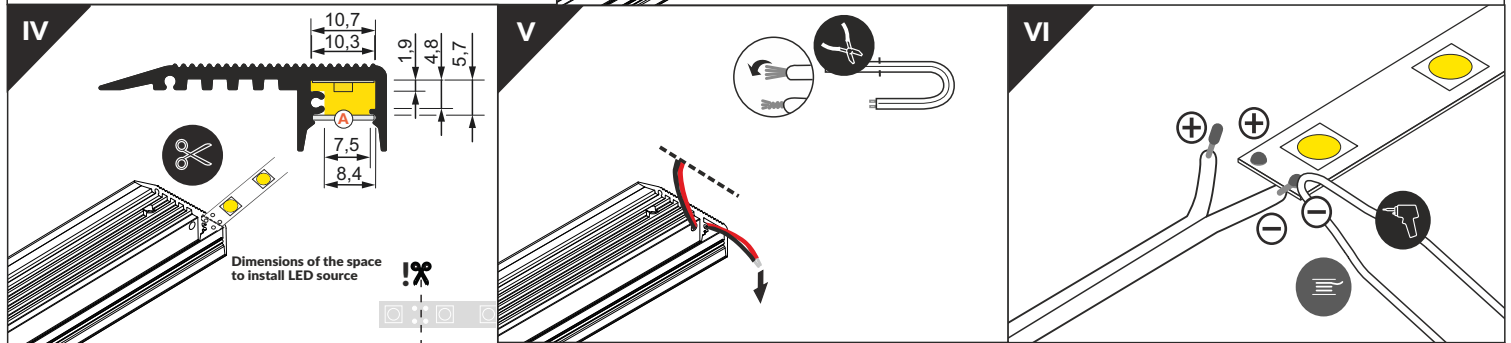
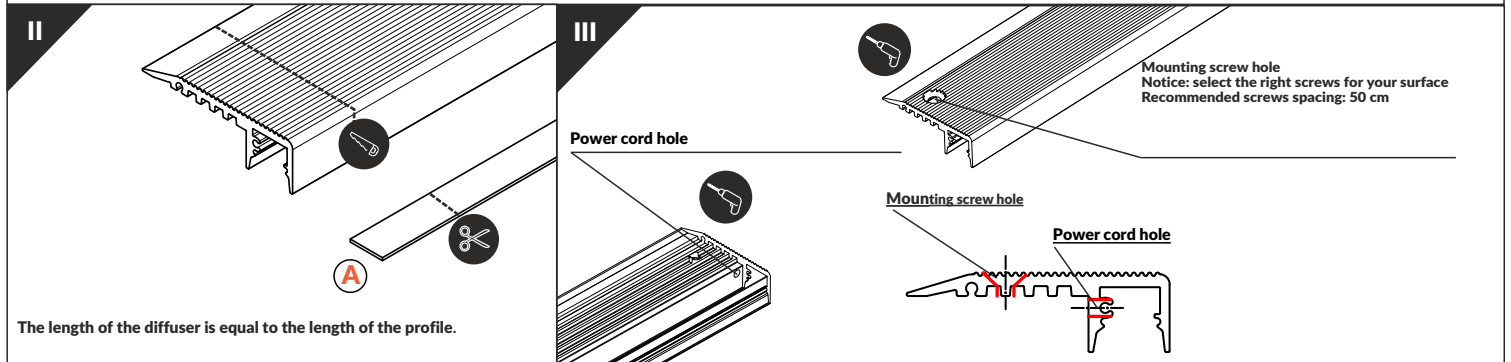
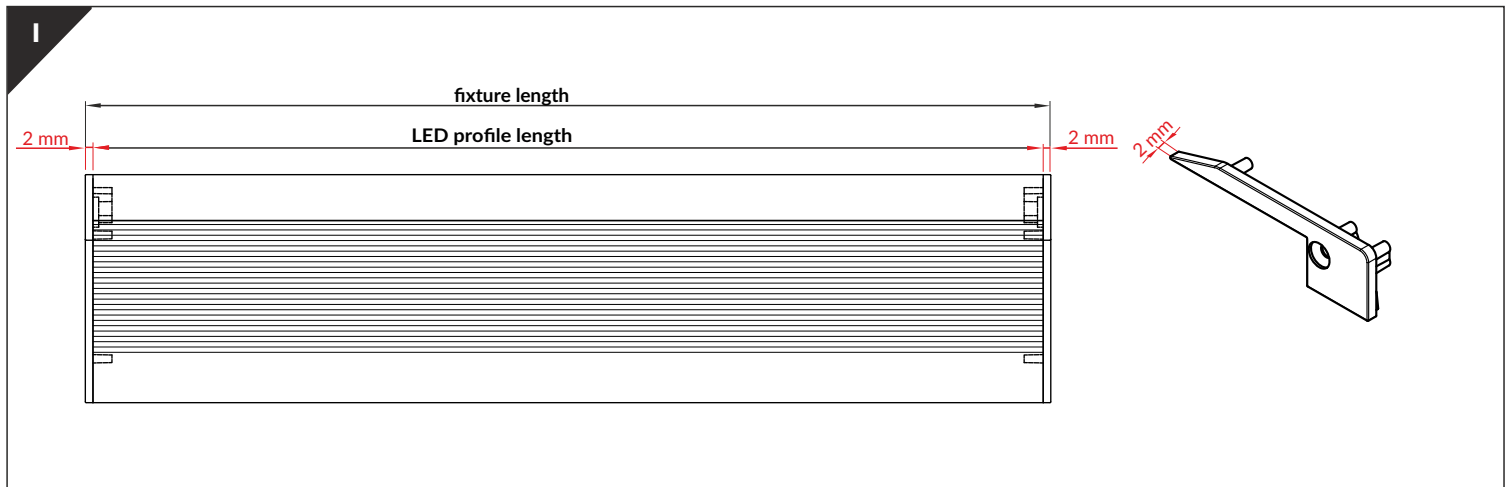


PORRAS10 DOWN A

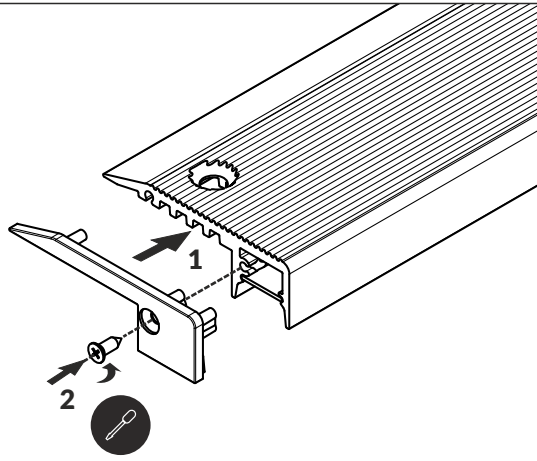
 max 10 mm
  special application
  architectural



-  scissors
-  drill
-  hacksaw
-  screwdriver
-  pliers
-  soldering iron
-  solder

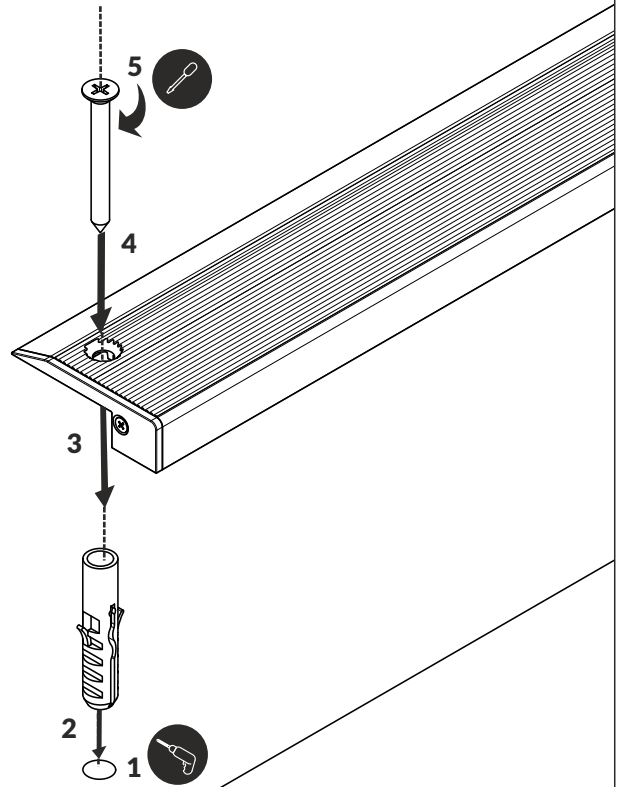


IX

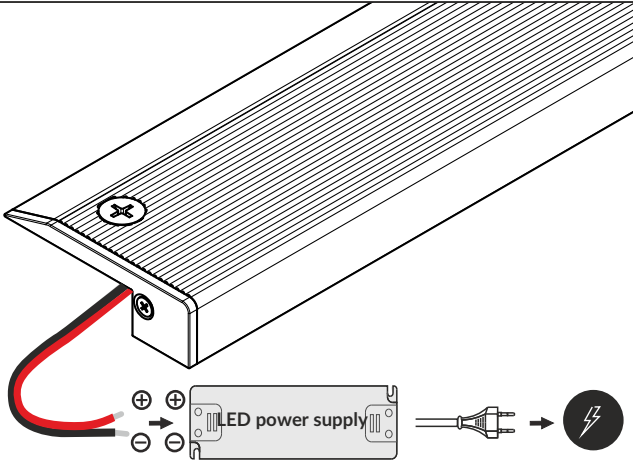


X

MOUNTING



XI



VALOTEHDAS